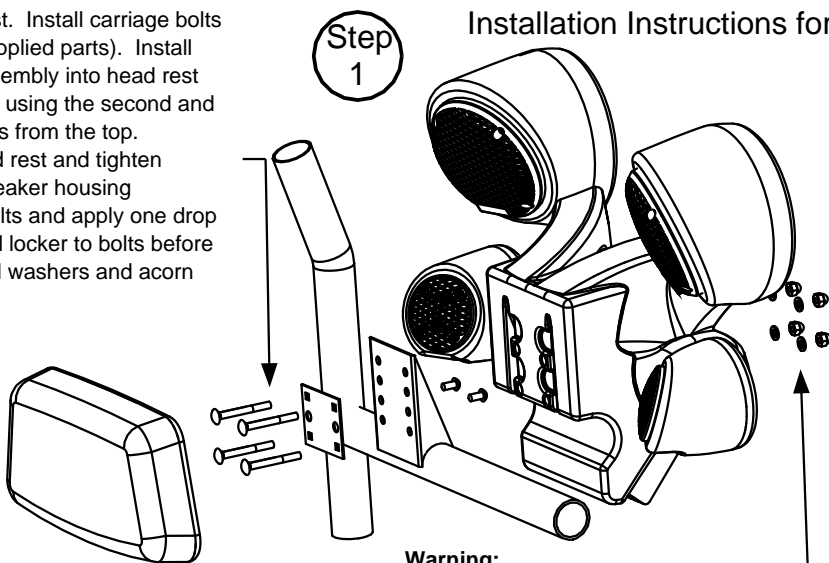


Installation Instructions for Ranger prt. # RNG-07

Remove head rest. Install carriage bolts into bolt plate (supplied parts). Install bolt and plate assembly into head rest bracket as shown using the second and fourth row of holes from the top. Reinstall the head rest and tighten screws. Slide speaker housing assembly onto bolts and apply one drop of supplied thread locker to bolts before installing supplied washers and acorn nuts onto bolts.

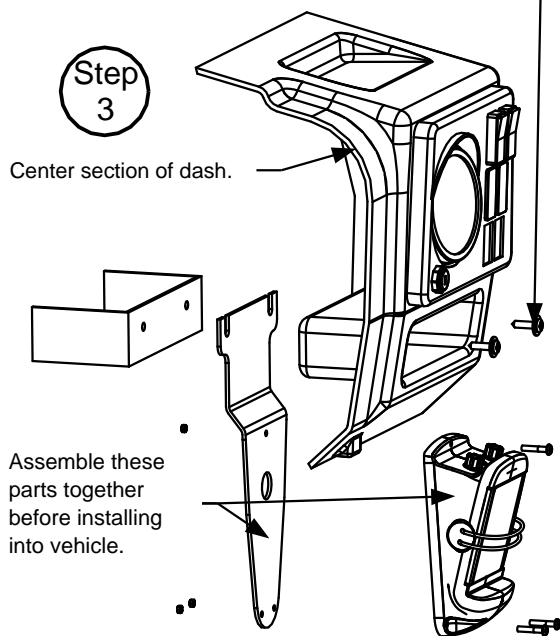


Warning:
Tighten acorn nuts only until plastic starts to deform. Over tightening may damage speaker housing.

Insert two wires with small white connectors from speaker cable through large hole in volume control bracket. Carefully plug connectors onto the volume control board. Reverse connectors if controls operate opposite speakers. Assemble volume control platform to bracket using supplied screws and locknuts and tighten. Loosen existing screws in back of the storage pocket. Insert bracket between storage pocket and frame support. Tighten screws.

Remove seat and center floor panel. Disconnect positive and negative battery cables. Install speaker assemblies as shown. Route speaker cables down over the middle of the seat ledge through the engine compartment down and through the uncovered floor area. Continue forward up to the battery area. Install supplied relay as shown. Install volume control platform and bracket assembly as described above. Connect all relay wiring. After all connections are made reconnect battery cables and test speakers. Working from both ends tie the speaker cable to vehicle roll bar, plumbing, harness, frame etc. keeping cable clear of hot areas and moving parts. Tie excess cable in engine compartment or under floor. Reinstall floor panel and seat.

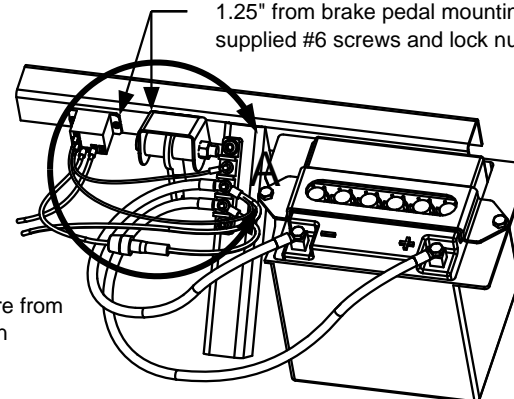
Step 3



Assemble these parts together before installing into vehicle.

Drill two 5/32 holes to mount supplied relay approximately 1.25" from brake pedal mounting bracket as shown using supplied #6 screws and lock nuts.

Step 2



Black relay coil wire from battery negative on terminal bar.

Red relay coil wire from accessory connection on terminal bar

Relay and mounting hardware supplied.

This terminal unused

Brake pedal bracket.

Terminal bar.

Existing accessory wiring from vehicle harness not shown for clarity.

Black wire from speaker cable.

Install red fused power wire from battery positive on terminal bar to relay in position shown. (Use 12 amp fuse only)

Red wire from speaker cable.

Warranty:
90 days from date of purchase on electronics.