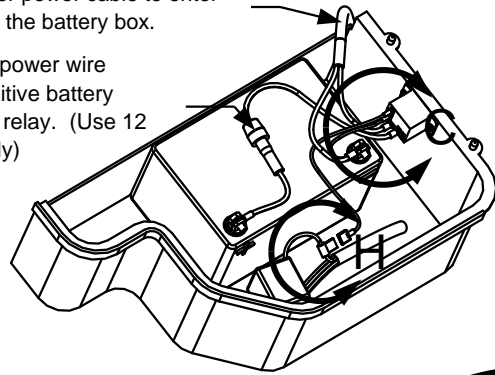


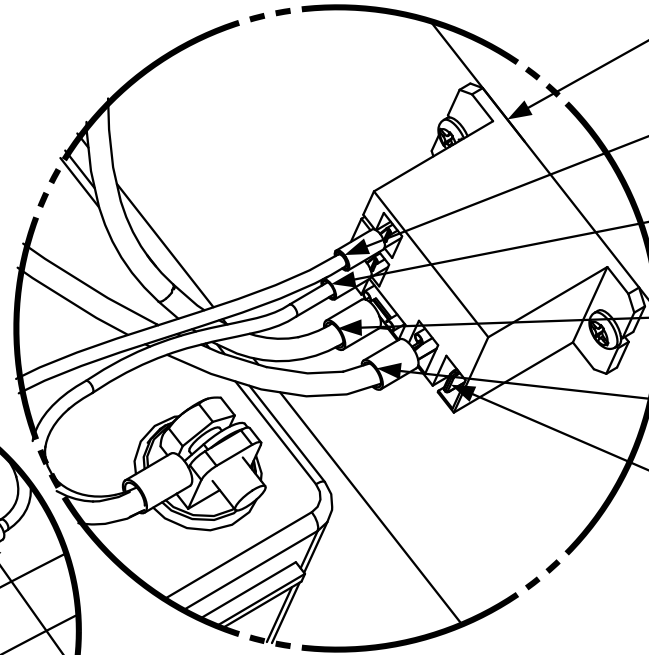
# Installation Instructions for "Rhino" prt. # RNO-07

Route speaker power cable to enter this corner of the battery box.

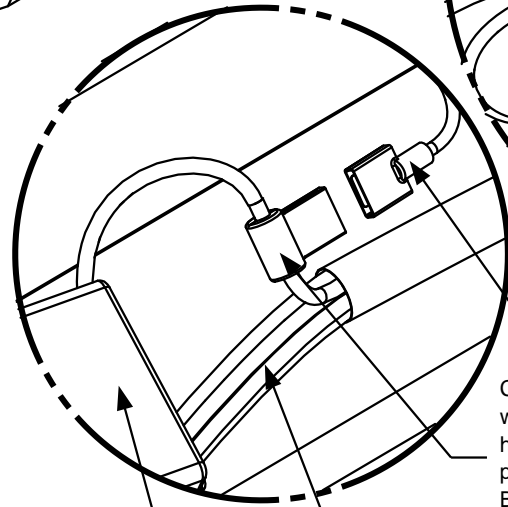
Install fused power wire between positive battery terminal and relay. (Use 12 amp fuse only)



Step 2



Attach relay flush with top of battery box as shown with supplied screws and nuts.  
 Black wire from negative battery terminal.  
 Red relay coil wire from brown wire with blu stripe in vehicle harness.  
 Red wire in speaker power supply cable.  
 Red fused wire  
 This terminal unused.

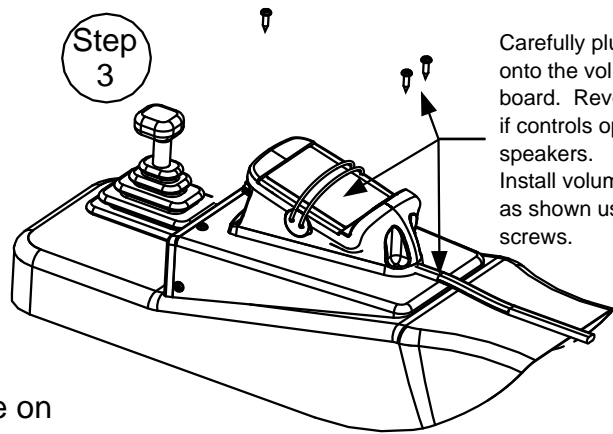


Red relay coil wire. Insert blade of male spade connector into slot of T-tap until fully seated.  
 Clip T-tap over any brown wire in battery box harness. Squeeze with pliers until it locks shut. Be sure metal blade is centered over wire.

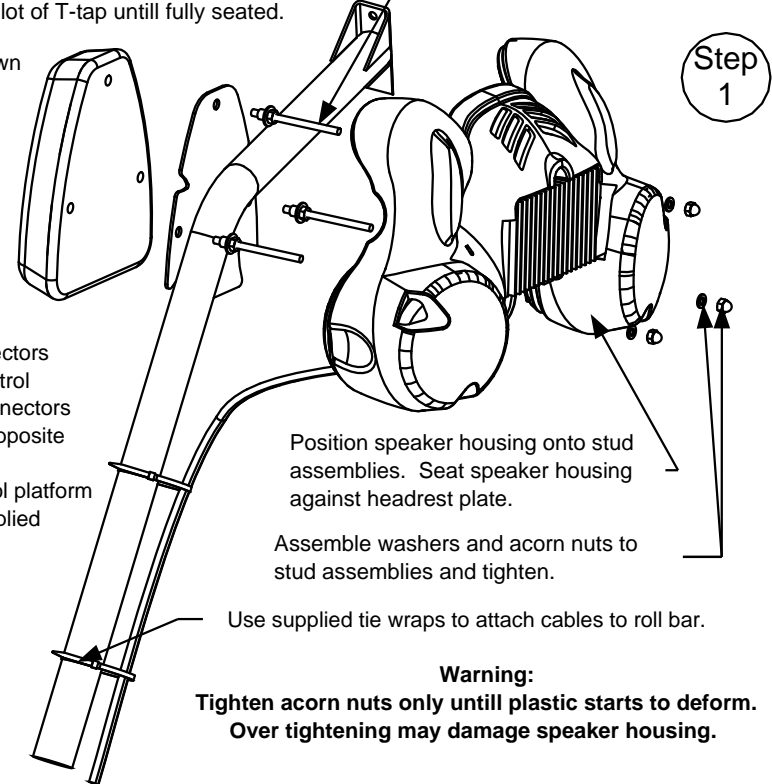
Fuse box Wire harness in battery box.

Remove engine cover and center floor cover. Route power cable(s) on the driver side through the engine compartment. Continue routing cable through the floor compartment crossing over to the passenger side as soon as possible under all plumbing and the drive line. Continue up into the battery box entering in the location shown above. Connect black wire in speaker power supply cable to negative terminal of battery. Prior to tying cable to vehicle, **install relay and connect wires as shown.** Working from each end attach speaker cable to existing vehicle wiring harness, plumbing, structure etc.. Keep away from hot area's that may damage speaker cable. Any excess cable is to be secured under the engine cover.

Step 3



Carefully plug connectors onto the volume control board. Reverse connectors if controls operate opposite speakers. Install volume control platform as shown using supplied screws.



Replace headrest bolts with supplied stud assemblies. **Apply thread locker to stud ends prior to assembly.**  
 Position speaker housing onto stud assemblies. Seat speaker housing against headrest plate.  
 Assemble washers and acorn nuts to stud assemblies and tighten.  
 Use supplied tie wraps to attach cables to roll bar.

Step 1

**Warning:**  
 Tighten acorn nuts only until plastic starts to deform. Over tightening may damage speaker housing.

Warranty:  
 90 days from date of purchase on electronics.