

# Installation Instructions for "TRYX" prt. # TRX-09

Remove driver's seat. Remove engine air intake cover. **Disconnect negative battery cable from the battery and cover negative battery post.** Install speaker assemblies as shown. Cables will be attached to roll bar after volume control platform is tested and installed. Install the relay and wiring as shown and reconnect the negative battery cable. Locate and drill clearance holes for screws provided to attach volume control platform onto the engine intake cover as shown. Plug speaker cable connectors onto the volume control board inside of the volume control platform. Test volume controls before attaching platform. Reverse connectors if controls operate opposite speakers. Attach speaker cables to the roll bar as shown starting at the center. Leave any extra speaker cable at the speaker end. Route the power cable down the lower roll bar tube on the drivers side and into the battery box, tie as needed.

Black connector on battery box harness.

Supplied T-tap shown clipped over brown wire from black connector on battery box harness.

Clip T-tap over any brown wire in battery box harness. Squeeze with pliers until it locks shut. Be sure metal blade is centered over wire.

1/4 inch male spade terminal

This terminal unused

Relay and mounting screws supplied

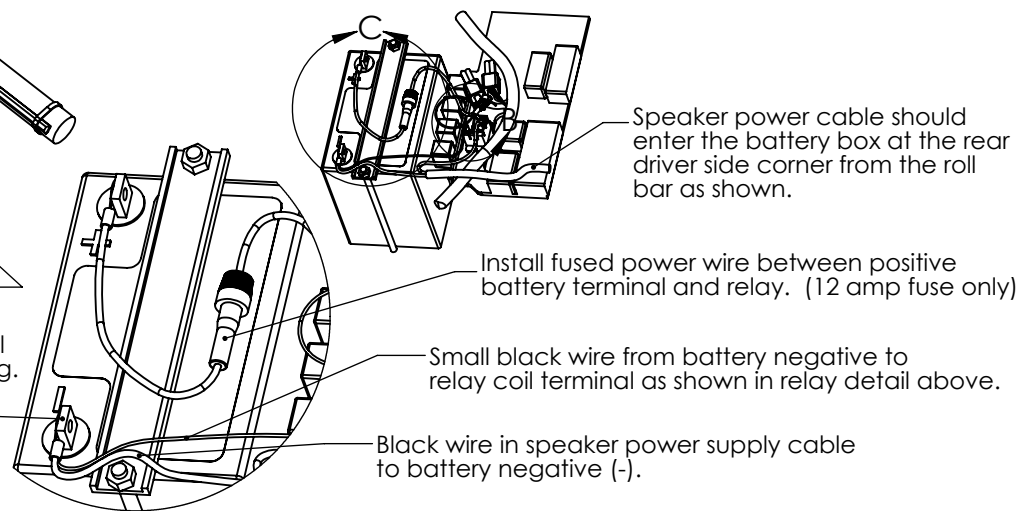
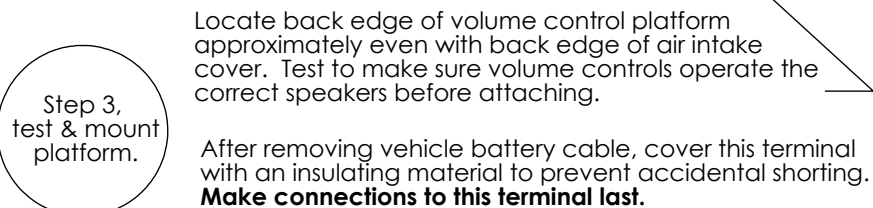
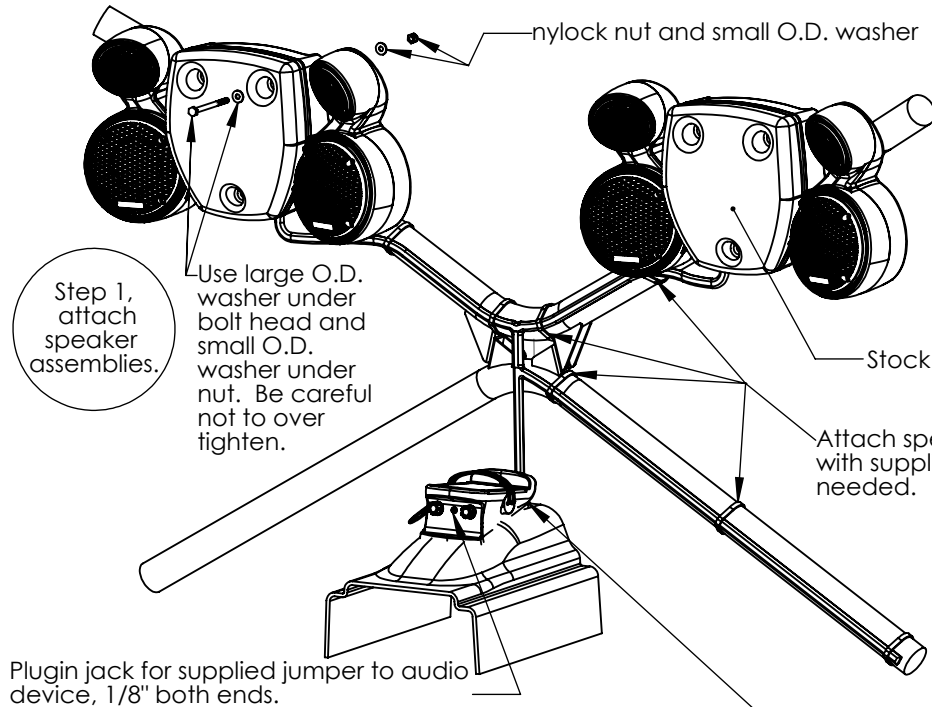
Install red fused power wire from battery positive to relay in position shown.

Red wire in speaker power supply cable.

Red relay coil wire from T-tap.

Black relay coil wire from speaker cable from negative battery terminal.

Step 2, complete wiring.



Warranty:  
90 days from date of purchase on electronics.